

*Supremacy
in manufacturing...*

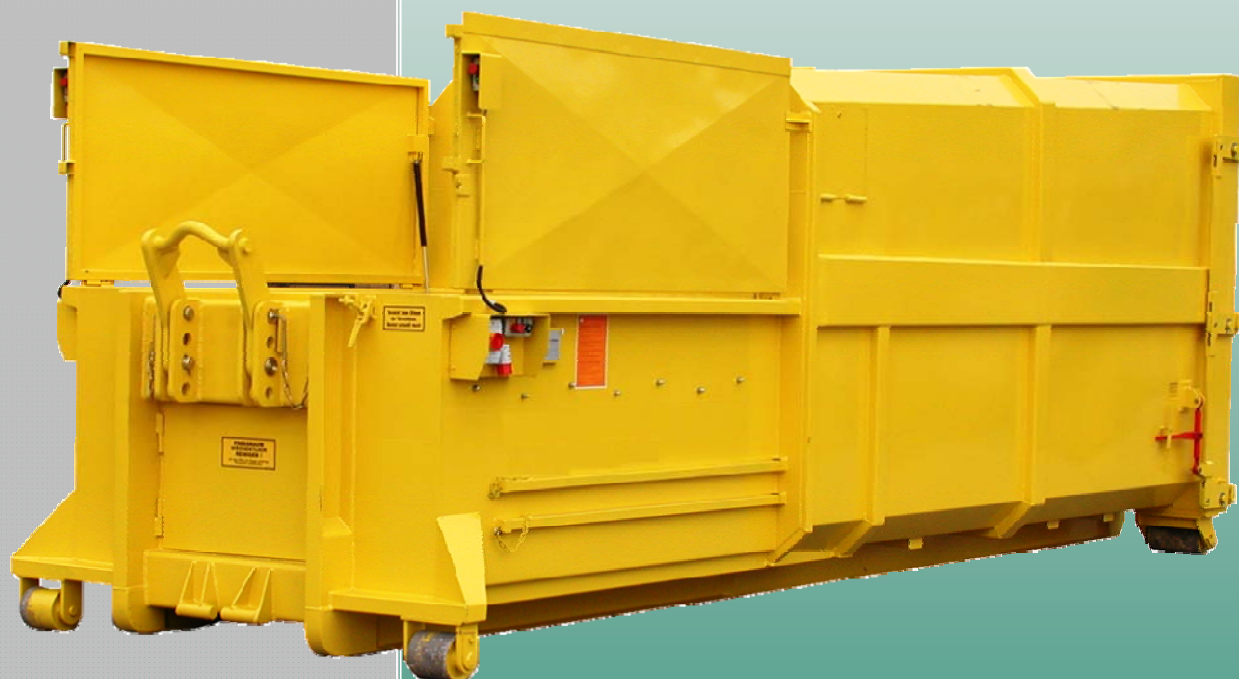


Spyros Houtris & Sons Ltd
Lefkonitziatis

"Paper & Plastic Compactor,"

Refuse Collector Vehicles, Fire Fighting Vehicles, Truck Bodies, Waste / Paper Compactors and Airport handling equipments

"Skip & Hook Lift model,"



*Solutions
Designers*

... innovative equipments for transport and waste management !



Supremacy
in manufacturing...



Spyros Houtris & Sons Ltd
Lefkonitziatis



"Product Information,,

Refuse Collector Vehicles, Fire Fighting Vehicles, Truck Bodies, Waste / Paper Compactors and Airport handling equipments



Product Description

- The SHP-PC Compactor designed especially for compacting of **large material** (i.e large boxes). Its design allow the operator to use a **large hopper** at low loading height.
- The "**Flat-Press**" design, ensures the **highest compaction force** directly from the hydraulic system to the material.
- Its "Environmental friendly Character" where its confirm the extremely **low sound emmitions** (>70dB) results, achieved due to the optimum design.
- The SHP-PC design according to a series of EU Standards& Directives, marked with **CE**, and guarantee its efficiency due to its **robust and reliable design**.



Technical Details

- Compaction plate comes in maintenance free plastic guides
- Compaction plate with scraper blade underneath as standard prevents back flow of material behind or under the compaction plate
- Single electromagnetic/hydraulic valve for smooth operation
- Phase changer
- Compaction area and compaction plate made of extra thick metal sheet
- Large, reinforced side hinged back door with ratchet closure for easy operation
- Low sound level
- Smooth line container, 3-side conical for easy empty
- Conformity to EC health and safety regulations
- 3/4 full warning light and full warning light
- Various hopper lids for different applications
- Leak proof backdoor sealing and inspection hatch seal
- Fold down lifting hook for easy and accessible loading
- Automatic operation while loading
- Where needed hook on both ends
- Integrated or mobile bin lifters for various kind of bins
- Compaction plate stops automatically in open or closed position
- Extra Large hopper 3 m3



*Solutions
Designers*

... innovative equipments for transport and waste management !



Supremacy
in manufacturing...



Spyros Houtris & Sons Ltd
Lefkonitziatis

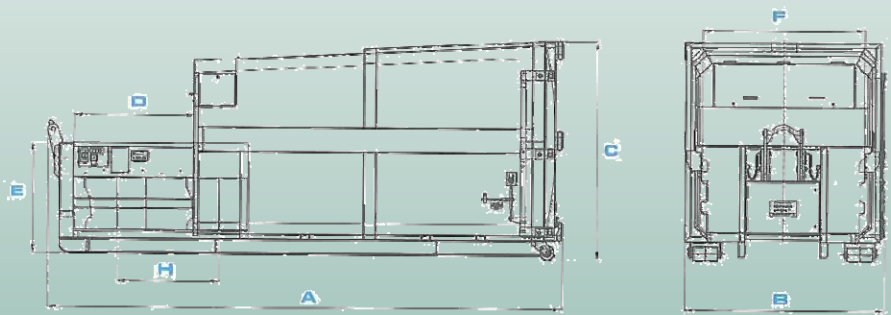


"Main Features,,

Refuse Collector Vehicles, Fire Fighting Vehicles, Truck Bodies, Waste / Paper Compactors and Airport handling equipments



... and much more, ask our technical department.



EU Standards & Directives

- EN 292-1&2: Safety and Machinery
- EN 294: Safety Distances
- EN 288: Welding Procedures
- 2006/42/EC: Machinery Directive
- 89/336/EEC: Electromagnetic Compatibility
- 2000/14/EEC: Noise Emission Directive
- EN 349 : Minimum gaps to avoid crushing of parts of the human body

*Solutions
Designers*

Lifting System		SKIP Unit			Roll on/off Unit			
Type	SHFPPC	S-8	S-10	S-12	H-16	H-18	H-20	H-25
Container Volume	(m3)	8	10	12	16	18	20	25
Hopper Volume	(m3)	1.52	1.52	1.52	1.91	1.91	1.91	1.91
Cycle time	(sec)	22	22	22	30	30	30	30
Compaction force	(kN)	230	230	230	330	330	330	330
Compaction Ratio		5:1	5:1	5:1	5:1	5:1	5:1	5:1
Overall length A	(mm)	3970	4520	5170	5370	5770	6220	7220
Overall width B	(mm)	1990	1990	1990	2420	2420	2420	2420
Overall height C	(mm)	2360	2360	2360	2650	2650	2650	2650
Hopper length D	(mm)	1440	1440	1440	1440	1440	1440	1440
Loading height E	(mm)	1300	1300	1300	1340	1340	1340	1340
Hopper Width F	(mm)	1630	1630	1630	1948	1948	1948	1948
Ram Stroke H	(mm)	1230	1230	1230	1230	1230	1230	1230
Weight	(kg)	3190	3340	3560	4070	4190	4320	4650
Electrical Supply	Motor 5,5Hp, 415Volts - 50Hz, plug 5x32, 16A							

Subjected to technical modifications

6, Arch. Makarios III, 7571, Anglisides, Larnaca, Cyprus

Tel: +357 24 811 216 Fax: + 357 24 811 217

email: info@houtris.com www.spyroshoutris.com

